



LINK BOX TECHNICAL DATA SHEET

Drw. No. 19.04.03
Article No. 23203001/0

Issued Date: 4.08.2021
Rev. Date: -
Rev. 00

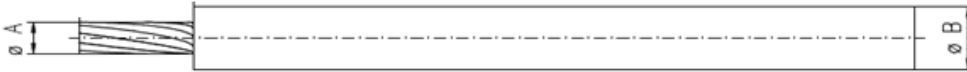
Type	LB. MV . SB .3SA . 6 . 1	
- Description	Medium Voltage S. Point Bonding Link Box for Single Cable	
- Designation	Underground	
- Bonding	Single Point	
- Sheath Voltage Limiter	qty	3
- Phase No.	6	
- Earth	1	
Drawing Number	19.04.03	
- Article No	23203001/0	
Electrical Characteristics		
- Rated Frequency	50/60	Hz
- SVL Type (*)	Up to 6 kV / Optional	
Protection Class		
	IP	68
Material		
- Enclosure	Stainless Steel AISI304 (AISI316 optional)	
- Body Thickness (**)	2 mm	
- Cover Thickness	2 mm	
- Connection Links	10 µm Tinned Electrolytic Copper	
- Connection Links Dimension	30x3 (90 mm ²)	
- Gasket	Silicone	
- Cable Glands	7x21 mm	
- Cable Glands Insulation	Silicone gasket & EPR tape & Mastic Tape & Heat Shirinkable Tube	
- Insulation	Epoxy Support Insulator	
- Conductor Fixing	Cable Lug - Max. 50 mm ²	
- Painting Process	Electro Static Polyester Powder Paint	
- Painting Code	RAL 7032	
- Labeling Material	Stainless Steel	
- Protection Cover	N/A	
AC Impulse Test		
- Phase-to-Phase	35	kV
- Phase-to-Earth	17,5	kV
Voltage Withstand Test		
- AC	10	kV/1 min
- DC	15	kV/5 min
Short Circuit Test		
- Symmetrical	15	kA/1sec
Internal Power Arcing Test (Symmetrical)		
	10	kA/0.1 sec

* In case of mismatch in given values, technical drawing provided along with the Order Confirmation is valid. Ask for conformity if SVL is out of EMELEC's scope.

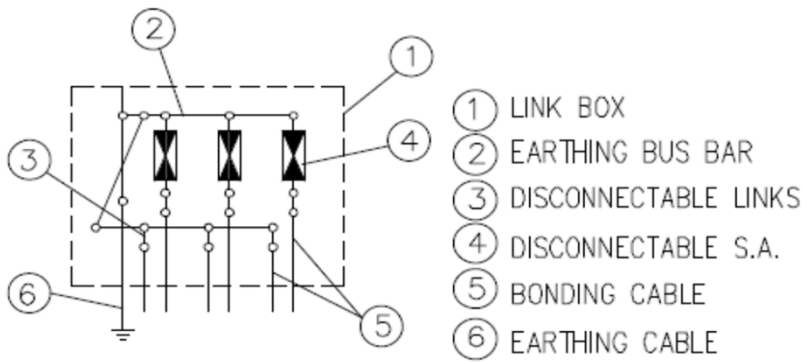
** Body Thickness might differ related to technical drawing revision. For exact value, refer to technical drawing provided along with the Order Confirmation

Bonding Cable

- Type											Single
Cross-Section (mm ²)	Gland Dia		A		B		C		D		
	Outer (mm)	Inner (mm)	min (mm)	max (mm)	min (mm)	max (mm)	min (mm)	max (mm)	min (mm)	max (mm)	
Max 50 mm ²	21	17	11	8	15	N/A	N/A	N/A	N/A	N/A	



Schematic Diagram



Enclosure Dimensions (*)

Width	450 mm
Length	380 mm
Height	210 mm
Weight	20 kg

Filling Compound (Optional)

Volume	N/A
--------	-----

* Scheme and dimensions are not to be mentioned as final drawing. For exact dimensions, refer to technical drawing provided along with the Order Confirmation

** Given are approximate values. Actual values might slightly differ.