



LINK BOX TECHNICAL DATA SHEET

Drw. No. **05.08.08**
Article No. **06808001/0**

Issued Date: 10.05.2019
Rev. Date: 3.08.2021
Rev. 02

Type	LB. P . E .3SA . 3 . 1
- Description	Three Phase Earthing Link Box for Single Cable
- Designation	Pedestal
- Bonding	Earthing
- Sheath Voltage Limiter	qty 3
- Phase No.	3
Earth	1
Drawing Number	05.08.08
- Article No	06808001/0
Electrical Characteristics	
- Rated Frequency	50/60 Hz
- SVL Type (*)	Up to 10 kV / Optional
Protection Class	IP 67
Material	
- Enclosure	Stainless Steel AISI304 (AISI316 optional)
- Body Thickness (**)	2 mm
- Cover Thickness	3 mm
- Connection Links	10 µm Tinned Electrolytic Copper
- Connection Links Dimension	40x10 mm (400 mm ²)
- Gasket	Silicone
- Cable Glands	4x48 mm
- Cable Glands Insulation	Silicone gasket & EPR tape
- Insulation	Epoxy Support Insulator
- Conductor Fixing	Conductor Flexconn - 95-400 mm ²
- Painting Process	Electro Static Polyester Powder Paint
- Painting Code	RAL 7032
- Labeling Material	Stainless Steel
- Protection Cover	PET-G
AC Impulse Test	
- Phase-to-Phase	45 kV
- Phase-to-Earth	22,5 kV
Voltage Withstand Test	
- AC	10 kV/1 min
- DC	25 kV/5 min
Short Circuit Test	
- Symmetrical	40 kA/1sec
Internal Power Arcing Test (Symmetrical)	
	40 kA/0.1 sec

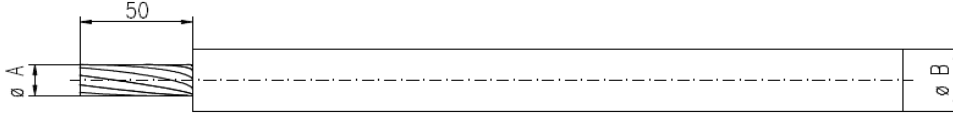
* In case of mismatch in given values, technical drawing provided along with the Order Confirmation is valid. Ask for conformity if SVL is out of EMELEC's scope.

** Body Thickness might differ related to technical drawing revision. For exact value, refer to technical drawing provided along with the Order Confirmation

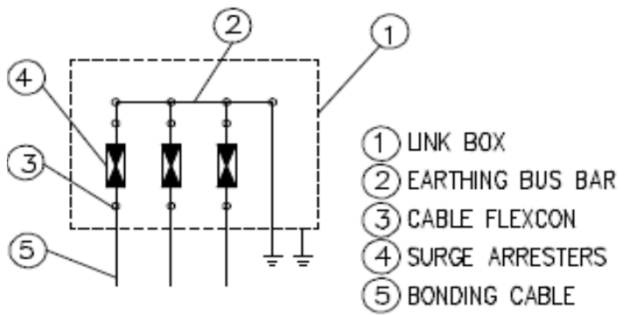
Bonding Cable

- Type Single

Cross-Section (mm ²)	Gland Dia		A		B		C		D	
	Outer (mm)	Inner (mm)	min (mm)	max (mm)	min (mm)	max (mm)	min (mm)	max (mm)	min (mm)	max (mm)
95-400	48	44	12	24	17	40	N/A	N/A	N/A	N/A



Schematic Diagram



Enclosure Dimensions (*)

Width	630 mm
Length	1005 mm
Height	400 mm
Weight	83 kg

Filling Compound (Optional)

Volume	N/A
--------	-----

* Scheme and dimensions are not to be mentioned as final drawing. For exact dimensions, refer to technical drawing provided along with the Order Confirmation

** Given are approximate values. Actual values might slightly differ.