



LINK BOX TECHNICAL DATA SHEET

Drw. No. **15.10.01**
Article No. **19001001/0**

Issued Date: 12.10.2021
Rev. Date: -
Rev. 00

Type	LB. U . PD. CB .3SA . 3 . 1
- Description	Three Phase Cross-Bonding Link Box for Coaxial Cable
- Designation	Underground
- Bonding	Cross-Bonding
- Sheath Voltage Limiter	qty 3
- Phase No.	3
- Earth	1
Drawing Number	15.10.01
- Article No	19001001/0
Electrical Characteristics	
- Rated Frequency	50/60 Hz
- SVL Type (*)	Up to 18 kV / Optional
Protection Class	IP 68
Material	
- Enclosure	Stainless Steel AISI304 (AISI316 optional)
- Body Thickness (**)	3 mm
- Cover Thickness	3 mm
- Connection Links	10 µm Tinned Electrolytic Copper
- Connection Links Dimension	50x10 mm (500 mm ²)
- Gasket	Silicone
- Cable Glands	3x89 mm & 1x48 mm
- PD Cable Glands	3x21 mm
- Cable Glands Insulation	Silicone gasket & EPR tape & Mastic Tape & Heat Shirinkable Tube
- Insulation	Epoxy Support Insulator
- Conductor Fixing	Coaxial Flexconn - 300-500 mm ²
- Painting Process	Electro Static Polyester Powder Paint
- Painting Code	RAL 7032
- Labeling Material	Stainless Steel
- Protection Cover	PET-G
AC Impulse Test	
- Phase-to-Phase	125 kV
- Phase-to-Earth	62,5 kV
Voltage Withstand Test	
- AC	20 kV/1 min
- DC	25 kV/5 min
Short Circuit Test	
- Symmetrical	50 kA/1sec
Internal Power Arcing Test (Symmetrical)	
	50 kA/0.1 sec

* In case of mismatch in given values, technical drawing provided along with the Order Confirmation is valid. Ask for conformity if SVL is out of EMELEC's scope.

** Body Thickness might differ related to technical drawing revision. For exact value, refer to technical drawing provided along with the Order Confirmation



LINK BOX TECHNICAL DATA SHEET

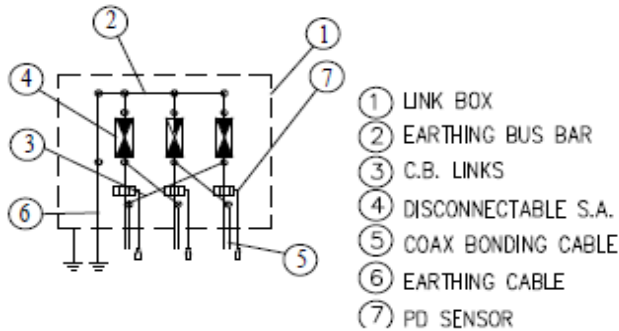
Bonding Cable

- Type Coaxial

Cross-Section (mm ²)	Gland Dia		A		B		C		D	
	Outer (mm)	Inner (mm)	min (mm)	max (mm)	min (mm)	max (mm)	min (mm)	max (mm)	min (mm)	max (mm)
300-500	88,9	84,9	20	28	28	45	36	56	45	77



Schematic Diagram



Enclosure Dimensions (*)

Width	1100 mm
Length	1030 mm
Height	430 mm
Weight	170 kg

Filling Compound (Optional)

Volume	80 lt (**)
--------	------------

* Scheme and dimensions are not to be mentioned as final drawing. For exact dimensions, refer to technical drawing provided along with the Order Confirmation

** Given are approximate values. Actual values might slightly differ.